



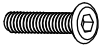

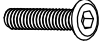



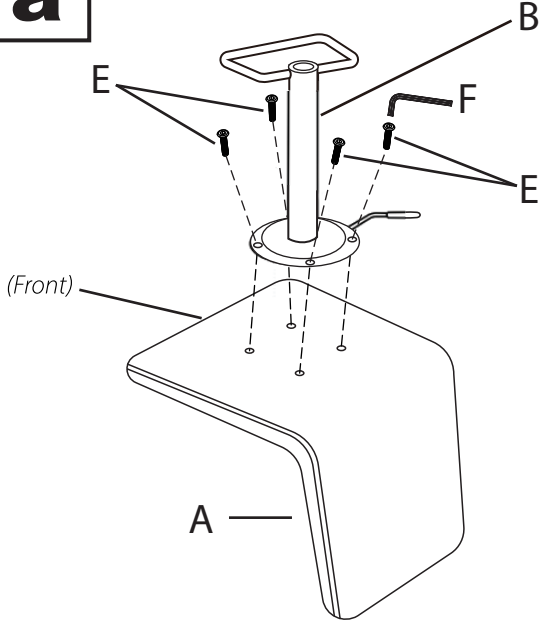
Adjustable Barstool Base - Rectangle

Part # J33-RNREC R17 XX+XX

21-1116

 <p>(Seat May Vary)</p> <p>A</p>	<p>PARTS</p>	 <p>B</p>	 <p>C</p>	 <p>D</p>	 <p>x4 (M6x16mm)</p> <p>E</p>	 <p>F</p>	 <p>x2 (M6x20mm) (Optional)</p> <p>*G</p>	 <p>x2 (Optional)</p> <p>*H</p>
--	---------------------	---	---	---	---	---	---	---

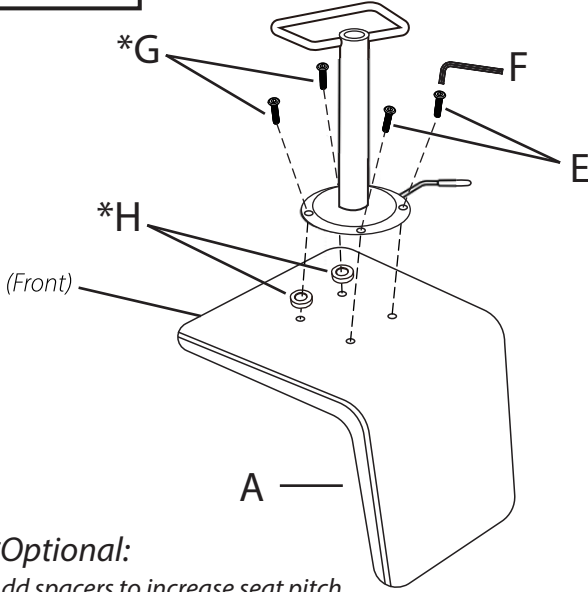
1a For smaller hole pattern



(Front)

A

1b*

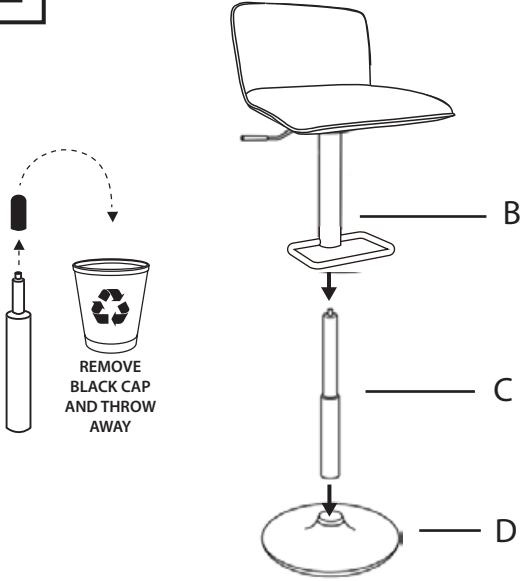


(Front)

A

**Optional:
Add spacers to increase seat pitch.*

2



REMOVE BLACK CAP AND THROW AWAY

B

C

D

3



(Seat May Vary)

SIT TO SECURE



Do not over tighten.
 Do not use power tools to assemble.